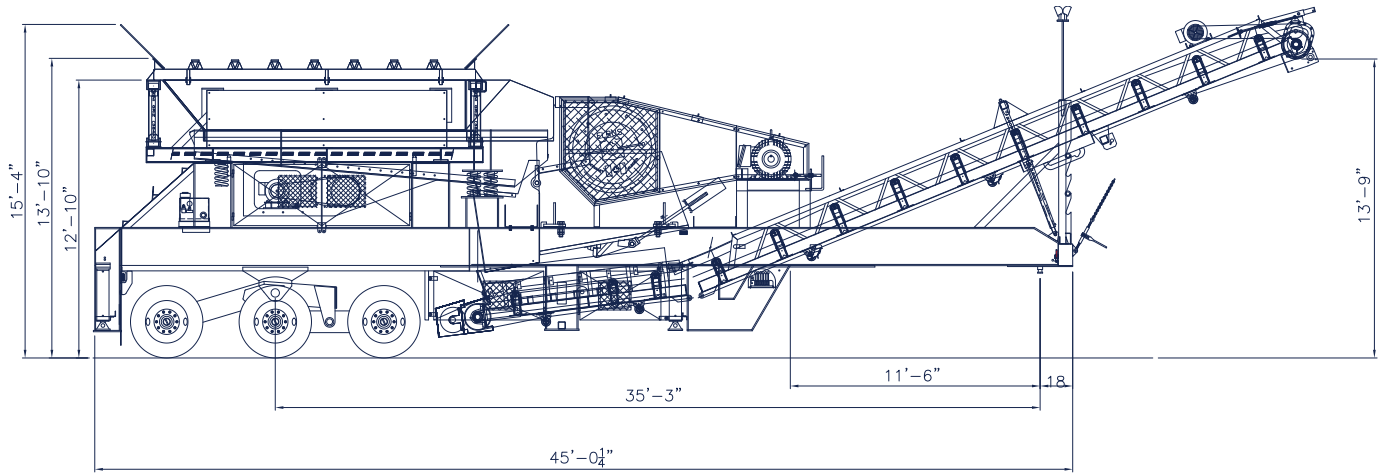




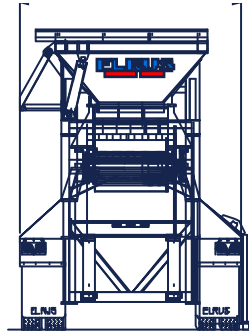
The ELRUS 2236 100 HP Primary Jaw Plant is our smaller heavy duty overhead eccentric jaw crusher. It is ideal for the contractor who needs the features of a big crusher in a smaller size. It's features are:

- 13' 91/2" Travel Height (with grizzly removed)
- 36" x 16' VGF with integral motor mount
- Hydraulic jaw adjustment
- H.D. Tri-axle walking beam suspension
- Hydraulic chassis levelling
- Adjustable discharge conveyor
- Impact bed under jaw and bypass chute

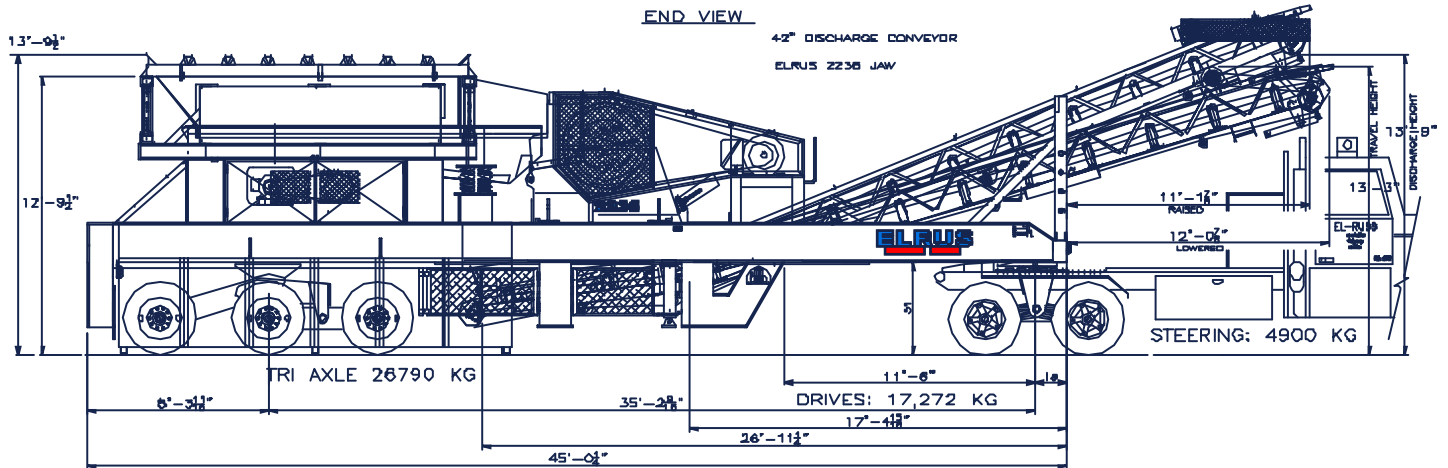
The 2236 is also available as a Jaw Screen, or as part of a Feeder Screen Jaw Plant. The ELRUS 2236 Primary Jaw crusher is an excellent choice for the contractor who needs big jaw performance in a portable, easy to move package.



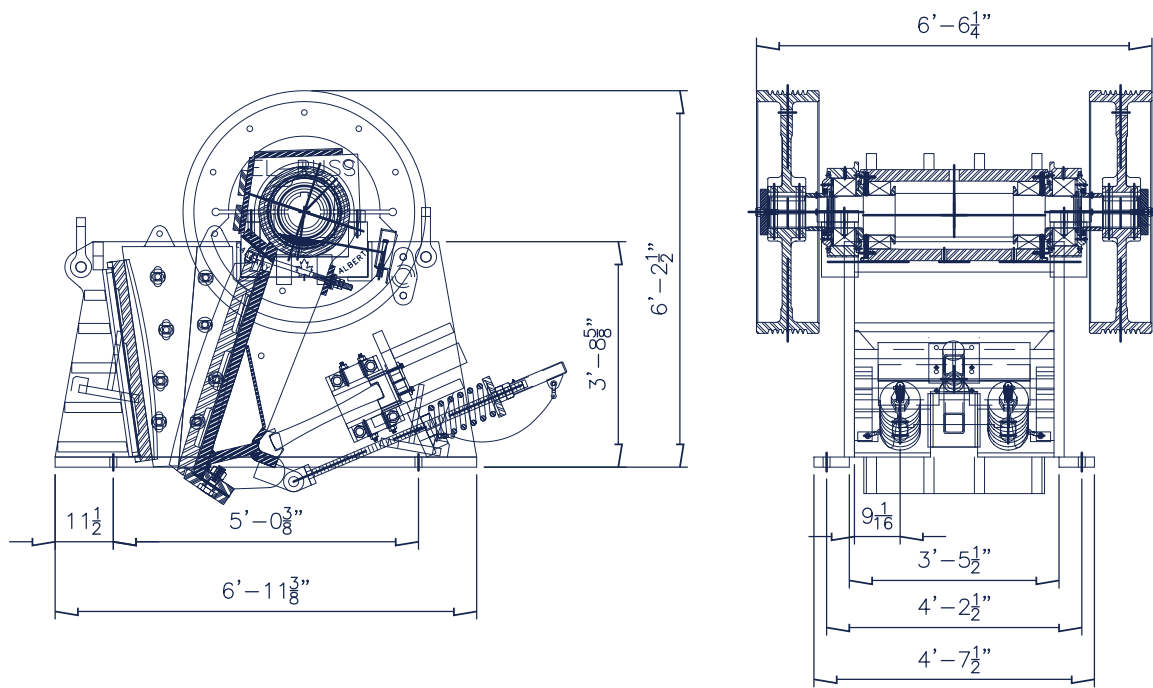
ELRUS 2236 Jaw Plant General Arrangement



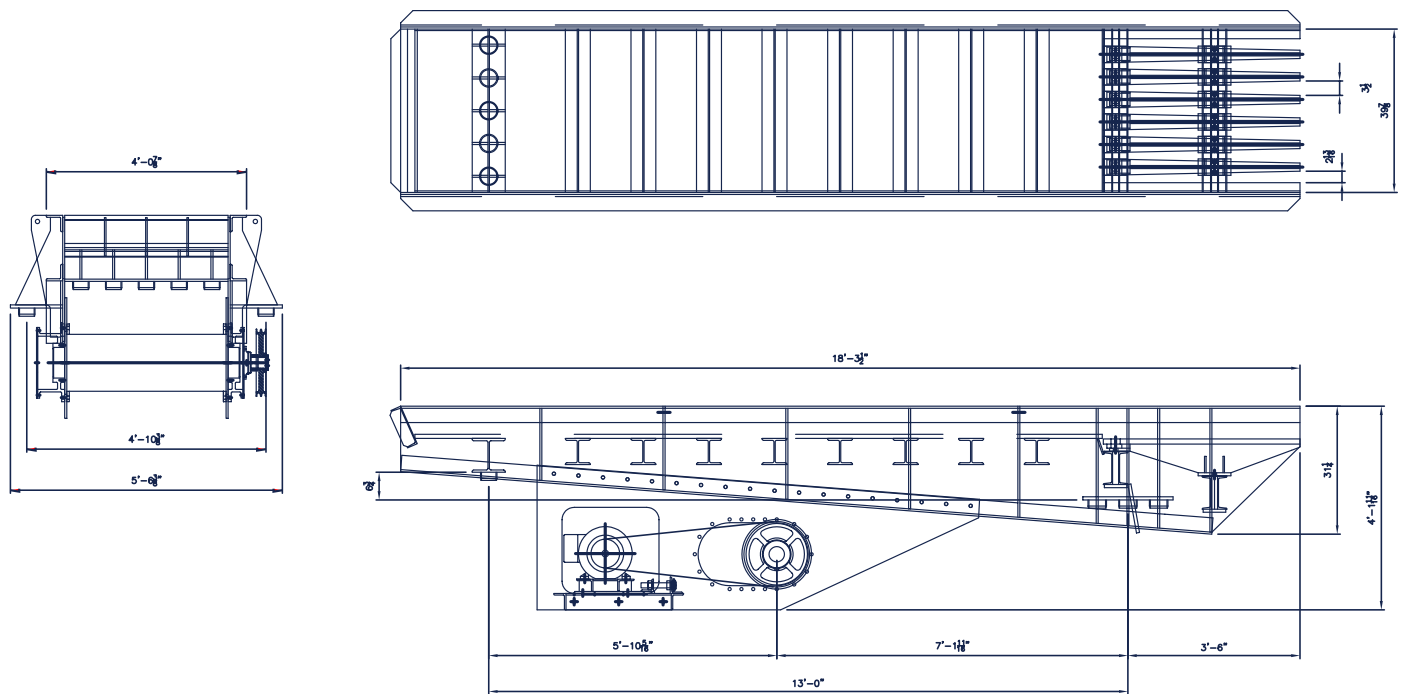
END VIEW



ELRUS 2236 Jaw Plant Travel Dimensions



ELRUS 2236 Jaw -General Arrangement



ELRUS 38" x 18" VGF General Arrangement



1. ELRUS 2236 JAW PLANT
2. ELRUS 6x20-3 FEEDER SCREEN PLANT
3. ELRUS CONE CHASSIS W/SANDVIK CH430
4. ELRUS CONTROL VAN W/ 6 x 10 TOWER
5. STACKING CONVEYOR
6. SURGE BIN

