

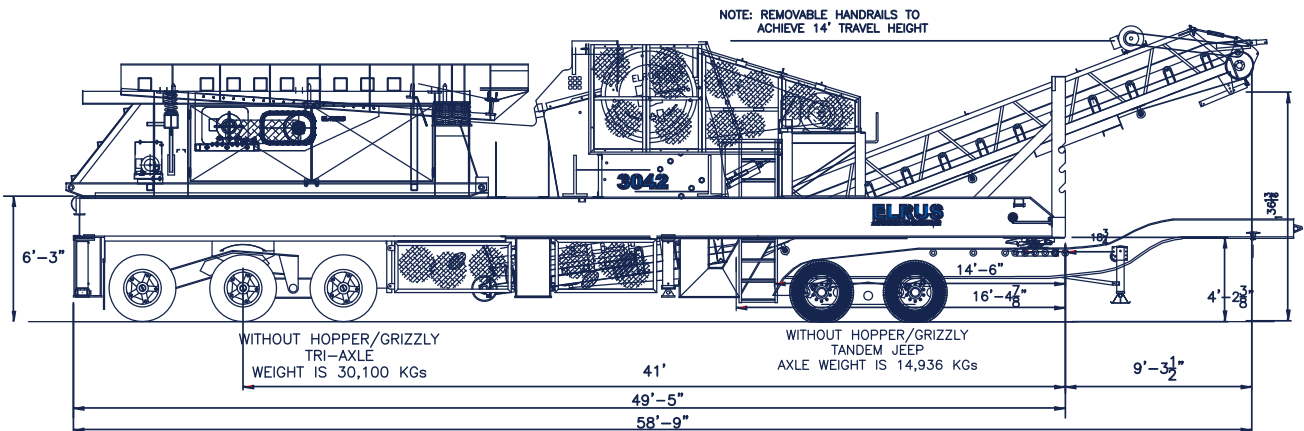
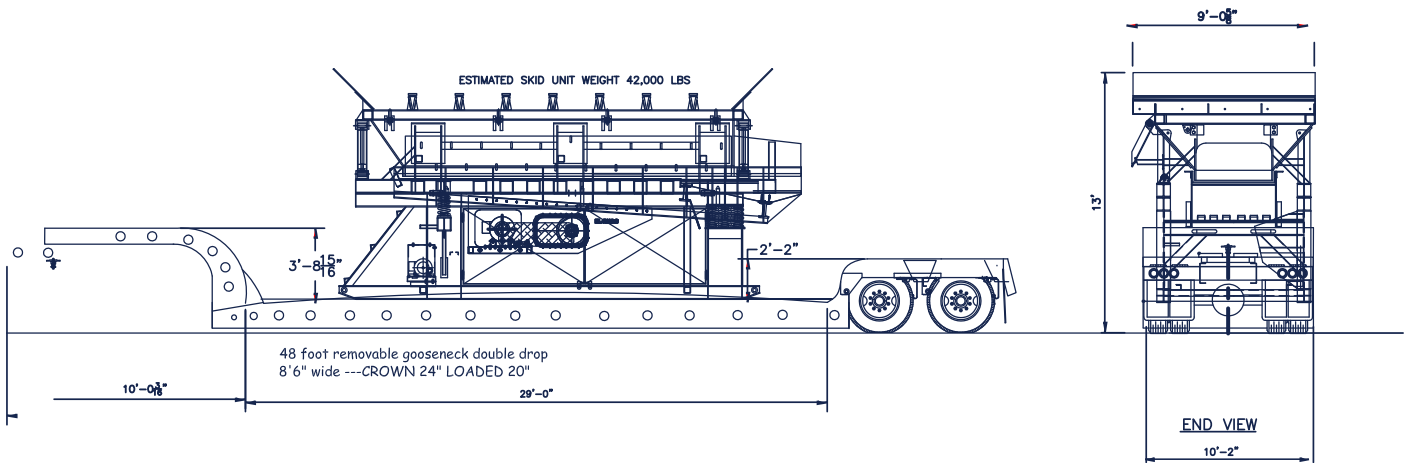
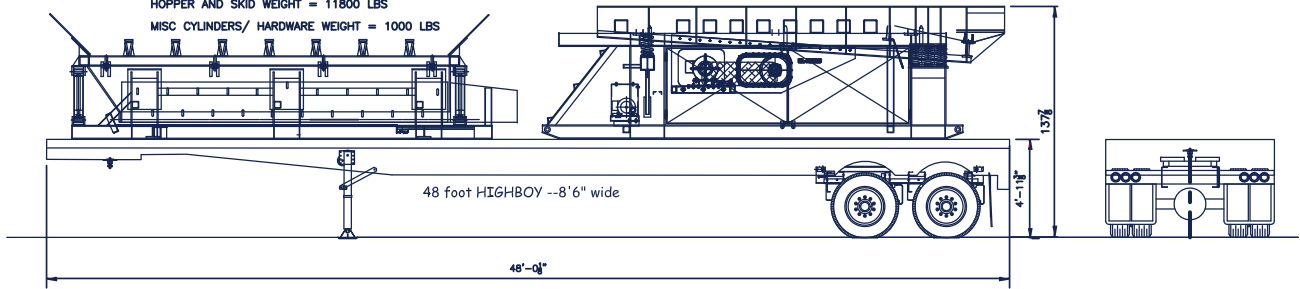


The ELRUS 3042 150 HP Primary Jaw Plant is a heavy-duty overhead eccentric jaw crusher for the most demanding crushing conditions. This primary is built for big jobs. Ease of maintenance and high production make the ELRUS 3042 the crusher for the high volume gravel producer.

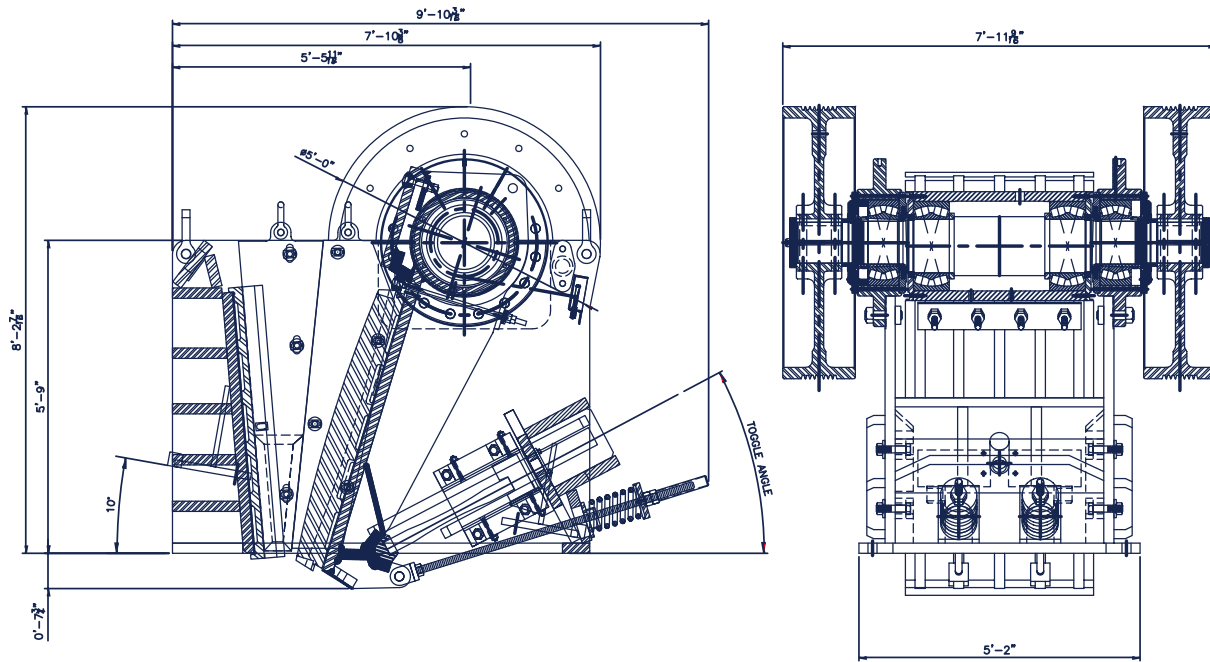
- 48" x 20' VGF with integral motor mount
- Hydraulic jaw adjustment (full hydraulic adjustment and tramp iron protection available)
- Hopper and feeder remove easily for transport
- H.D. Tri-axle walking beam suspension
- Hydraulic levelling
- 48" hydraulic raise and lower discharge conveyor
- Impact bed under jaw and bypass chute

Optional Equipment:

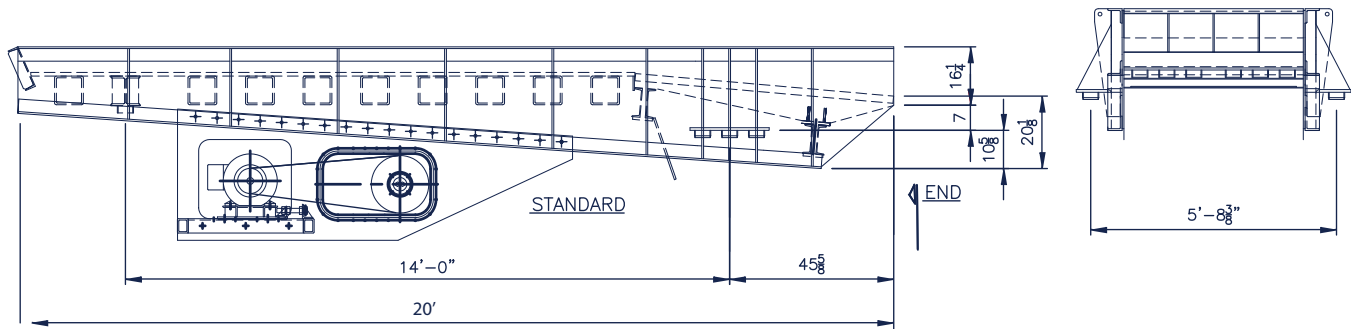
DEFLECTOR PLATE WEIGHT = 960 LBS
 8BAR GRIZZLY WEIGHT = 9550 LBS
 HOPPER AND SKID WEIGHT = 11800 LBS
 MISC CYLINDERS/ HARDWARE WEIGHT = 1000 LBS



WITHOUT HOPPER/GRIZZLY
 TANDEM TRACTOR
 AXLE WEIGHT IS 12,590 KGs



ELRUS 3042 Jaw General Arrangement



ELRUS 48"X20' VGF General Arrangement