



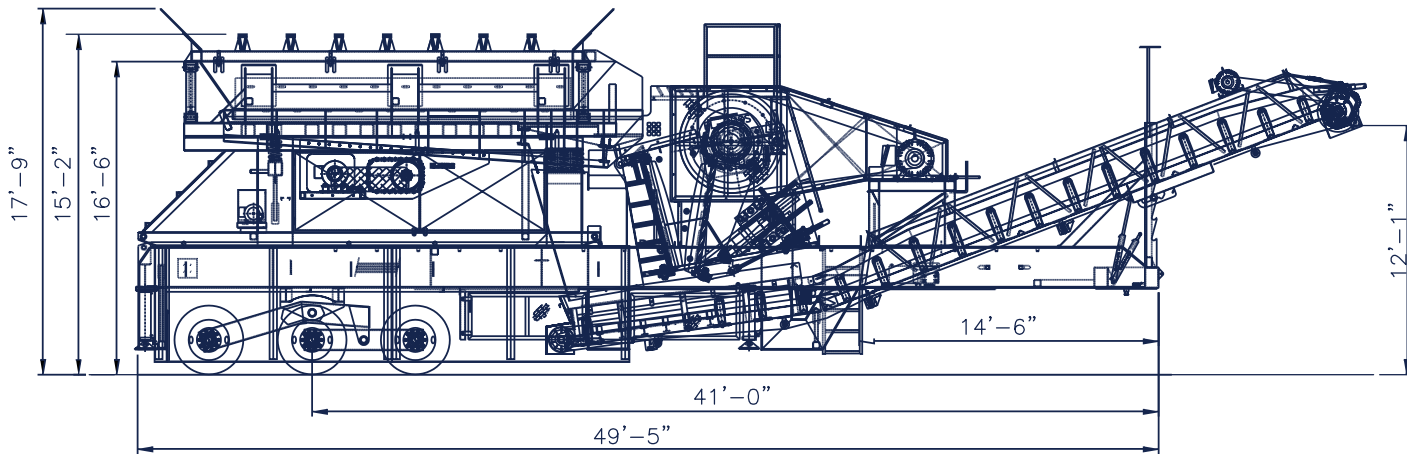
The ELRUS 3054 Primary Jaw Plant is a heavy-duty overhead eccentric jaw crusher built for the most severe crushing conditions. Ease of maintenance and high production make the ELRUS 3054 the crusher for the most extreme applications.

- 54" x 20' VGF with integral motor mount
- Hydraulic jaw adjustment
- Hopper and feeder remove easily for transport (feeder module can be lifted off in two pieces or skidded off in one piece)
- H.D. Tri-axle walking beam suspension
- Hydraulic leveling system
- 60" adjustable height discharge conveyor
- Impact bed under jaw and bypass chute
- Detachable bulkhead for ramp side

Optional Equipment:

- Hydraulic side or end dump grizzly's with adjustable bars
- Hydraulic tramp iron relief system
- Automatic tensioning system
- Variable speed frequency controller

3054 Heavy Duty Primary Jaw Plant G/A



TRANSPORT OPTION—DOUBLE DROP

