

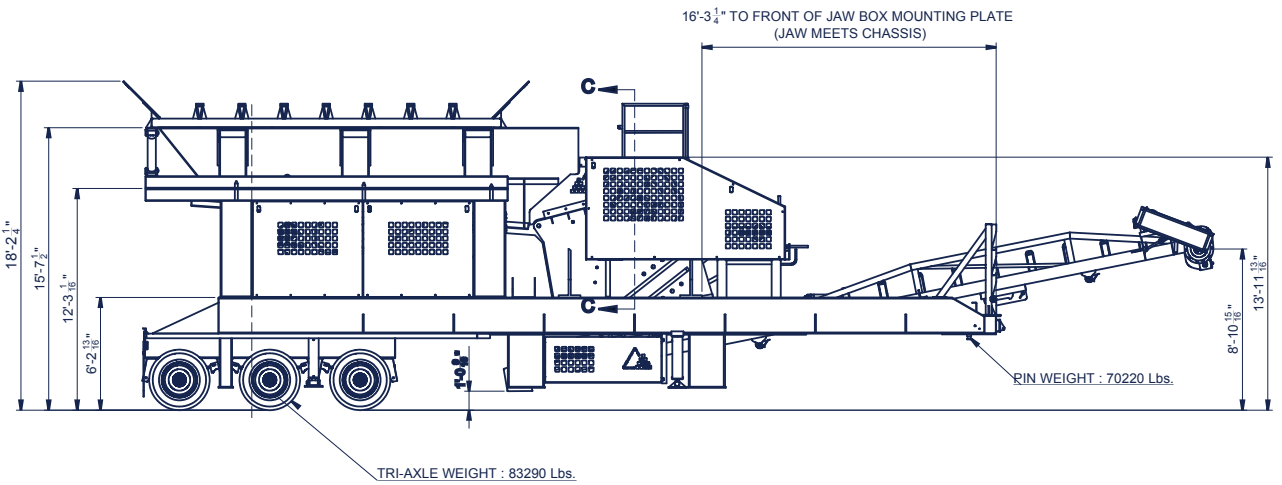
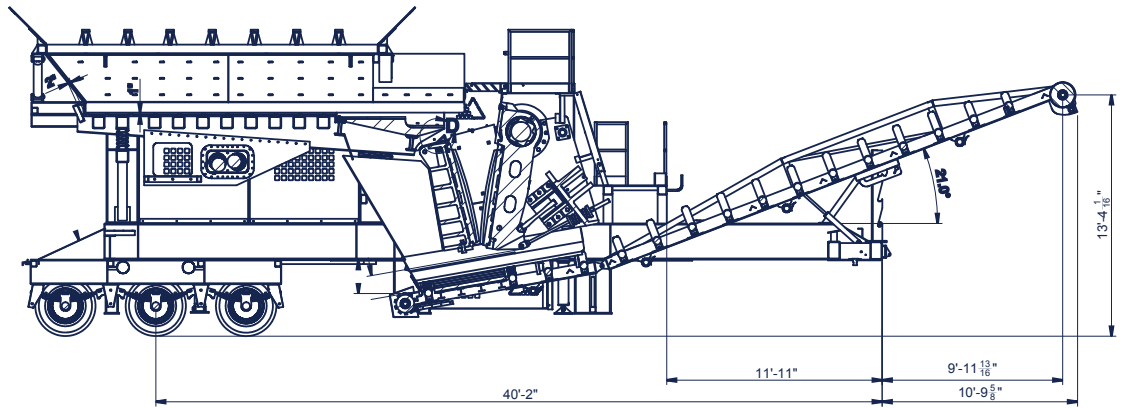
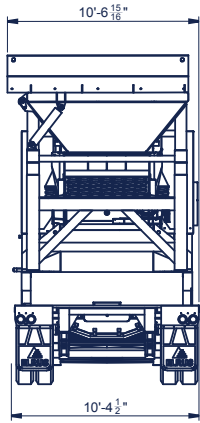
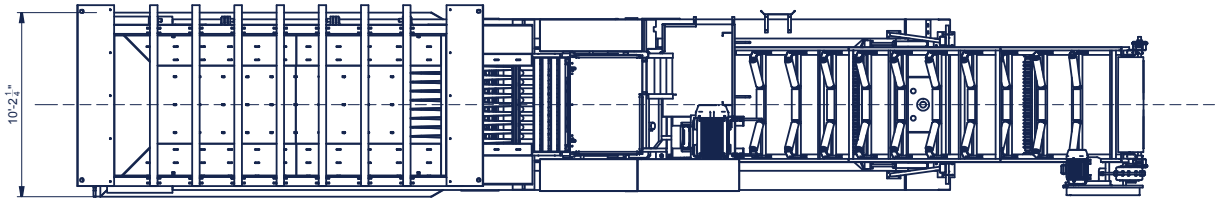


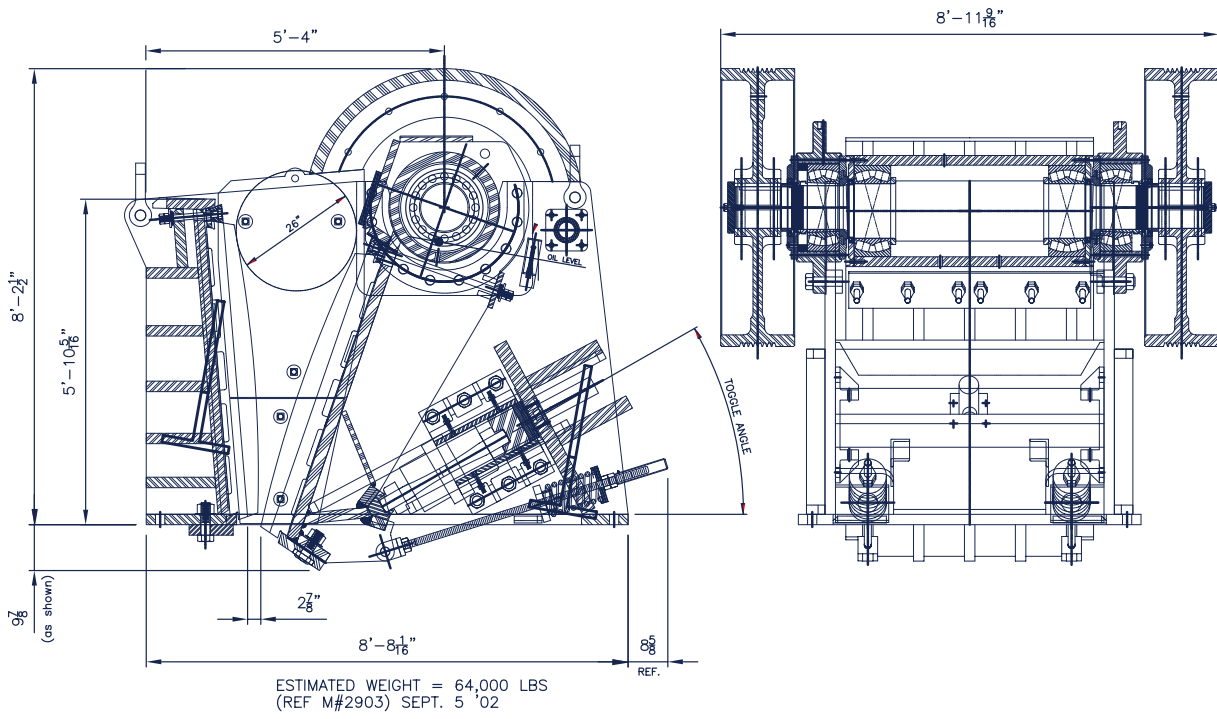
The ELRUS 3054 Primary Jaw Plant is a heavy-duty overhead eccentric jaw crusher built for the most severe crushing conditions. Ease of maintenance and high production make the ELRUS 3054 the crusher for the most extreme applications.

- 54" x 20' VGF with integral motor mount
- Hydraulic jaw adjustment
- Hopper and feeder remove easily for transport (feeder module can be lifted off in two pieces or skidded off in one piece)
- H.D. Tri-axle spring suspension
- Hydraulic leveling system
- 60" fixed height discharge conveyor
- Impact bed under jaw and bypass chute

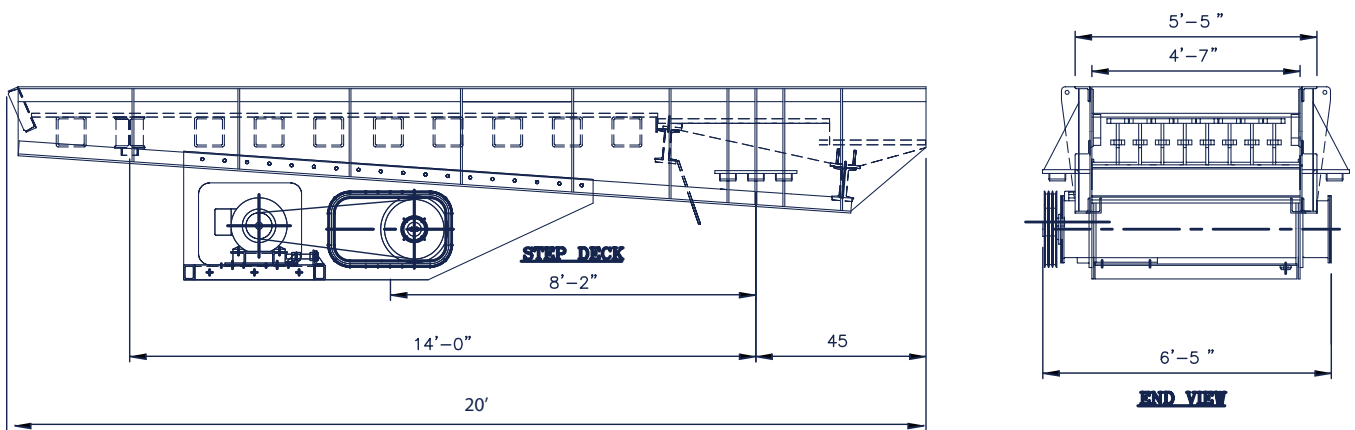
Optional Equipment:

- Hydraulic side or end dump grizzly's with adjustable bars
- Hydraulic tramp iron relief system
- Automatic tensioning system
- Variable speed frequency controller
- Adjustable 60" discharge conveyor
- ELRUS Triaxle walking beam suspension
- Hydraulic tramp iron relief system
- Detachable bulkhead - for ramp side
- Variable speed frequency controller

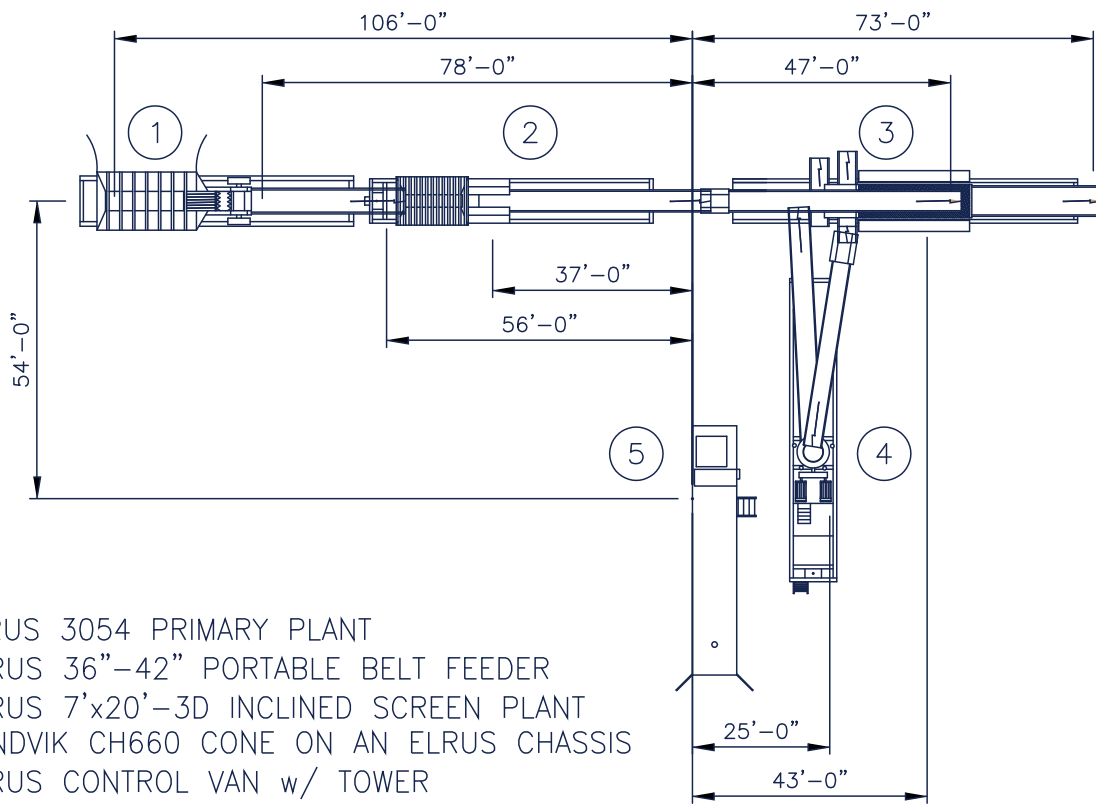




ELRUS 3054 Jaw General Arrangement



ELRUS 54" X 20' VGF General Arrangement



1. ELRUS 3054 PRIMARY PLANT
2. ELRUS 36"-42" PORTABLE BELT FEEDER
3. ELRUS 7'x20'-3D INCLINED SCREEN PLANT
4. SANDVIK CH660 CONE ON AN ELRUS CHASSIS
5. ELRUS CONTROL VAN w/ TOWER