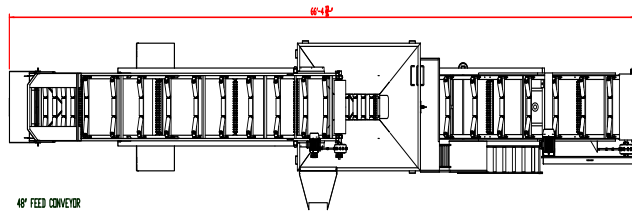


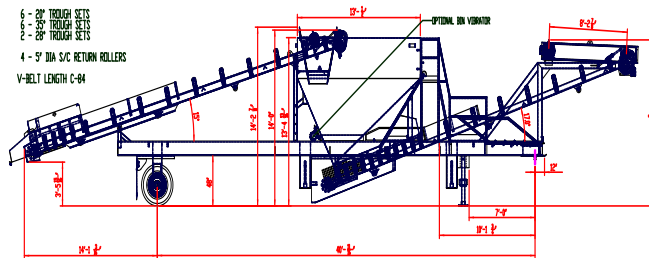
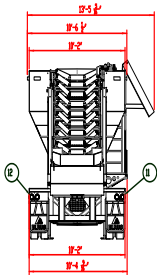
New ELRUS 30 Cubic Yard Surge Bin c/w Pick Up Conveyor



48" FEED CONVEYOR
 15 HP, T.E.F.C. ELECTRIC MOTOR
 c/w SHEAVE C-7/8-2-SF
 REDUCER BROWNING 215-25
 c/w SHEAVE C-8/8-2-SF

14" DIA RUBBER LAGGED HEAD PULLEY
 c/w 2 15/16" DIA HEAD SHAFT
 14" DIA SELF-CLEANING TAIL PULLEY
 c/w 2 15/16" DIA TAIL SHAFT

6 - 20" TROUGH SETS
 6 - 30" TROUGH SETS
 2 - 28" TROUGH SETS
 4 - 5" DIA S/C RETURN ROLLERS
 V-BELT LENGTH C-84



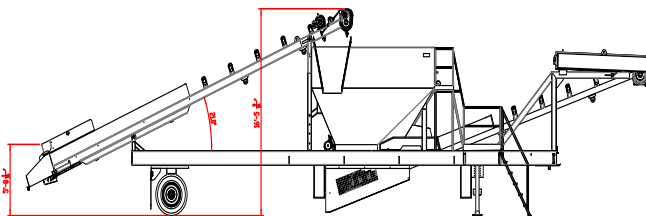
48" DISCHARGE CONVEYOR

50 HP, T.E.F.C. ELECTRIC MOTOR
 c/w SHEAVE C-10/8-4-E

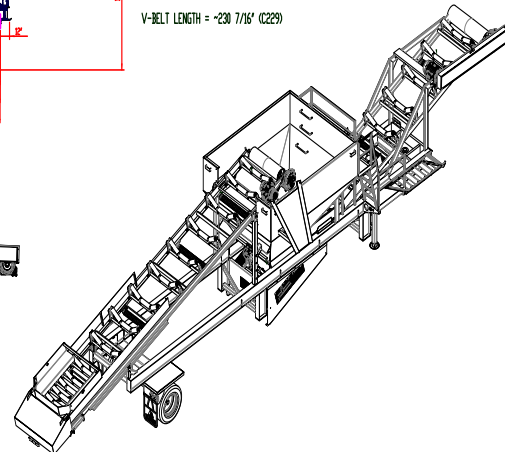
REDUCER BROWNING 307-25
 c/w SHEAVE C-10/8-4-E

16" DIA RUBBER LAGGED HEAD PULLEY
 14" DIA SELF-CLEANING TAIL PULLEY

12 - 20" TROUGH SETS
 4 - 30" TROUGH SETS
 2 - 28" TROUGH SETS
 3 - 5" DIA S/C RETURN ROLLERS
 V-BELT LENGTH = +230 7/16" (C229)



WORKING POSITION



TRAVEL POSITION

Head Office & Manufacturing Facility
 4409 Glenmore Trail, S.E., Calgary, AB T2C 2R8 (888) 535-7877



36 Years
 1975 - 2011



Calgary
 1-888-535-7877

Cambridge
 1-866-795-1188

Edmonton
 (Leduc Business Park)
 1-877-484-3303

Vancouver
 (Port Kells Industrial)
 1-877-484-3303

email: info@elrus.com

New ELRUS 30 Cubic Yard Surge Bin c/w Pick Up Conveyor

Main Frame

14x24 wide flange main frame construction
4 (4) W14x24" blocking legs
Single axle
Four (4) 11 x 22.5 tires c/w fenders & mud flaps
Air brakes & running lights
Fifth wheel pin assembly
h.d. hand crank self levelling jacks
Drive and belt guarding

PRICES DO NOT INCLUDE:
Electric Cables and plugs
Blocking and cribbing
Site preparation
Field assembly

Optional Equipment

Transfluid torque drive

Hopper

30 yd capacity
10' 2" x 13' inside hopper dimensions
1/4" plate construction
Ladder accessing walkways in front of bin
22"w x 18"h adjustable discharge gate

Over Flow Chute

48" Discharge Conveyor

50 H.P. T.E.F.C. electric motor
Browning 307 gear reducer c/w backstop
16" diam. rubber lagged, crowned face head pulley
c/w 3 7/16" diam. shaft Dodge S2000 spherical roller bearings
14" diam. self cleaning wing type tail pulley c/w 2
15/16" diam. Sealmaster MP ball bearings
Enclosed take ups
5" diam. troughing idlers
5" diam. rubber disc return idlers
48" wide 3/16" x 1/16" 3 ply Goodyear Pylon conveyor belt c/w vulcanised splice (330 p.i.w. rating)

48" Pick up Conveyor

15 H.P. T.E.F.C. electric motor
Browning 215 gear reducer
14" diam. rubber lagged, crowned face head pulley
c/w 2 15/16" diam. shaft Dodge S2000 spherical roller bearings
14" diam. self cleaning wing type tail pulley c/w 2
15/16" diam. Sealmaster MP ball bearings
Enclosed take ups
5" diam. troughing idlers
5" diam. rubber disc return idlers
48" wide 3/16" x 1/16" 3 ply Goodyear Pylon conveyor belt c/w vulcanised splice (330 p.i.w. rating)

Head Office & Manufacturing Facility

4409 Glenmore Trail, S.E., Calgary, AB T2C 2R8 (888) 535-7877



Calgary
1-888-535-7877

Cambridge
1-866-795-1188

Edmonton
(Leduc Business Park)
1-877-484-3303

Vancouver
(Port Kells Industrial)
1-877-484-3303

email: info@elrus.com