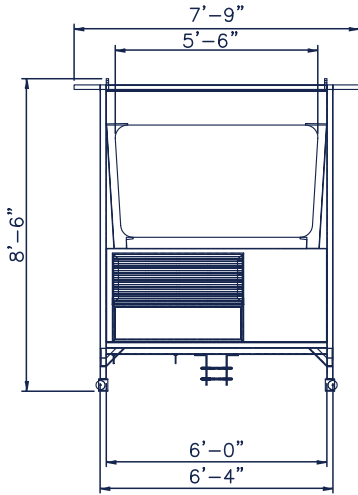
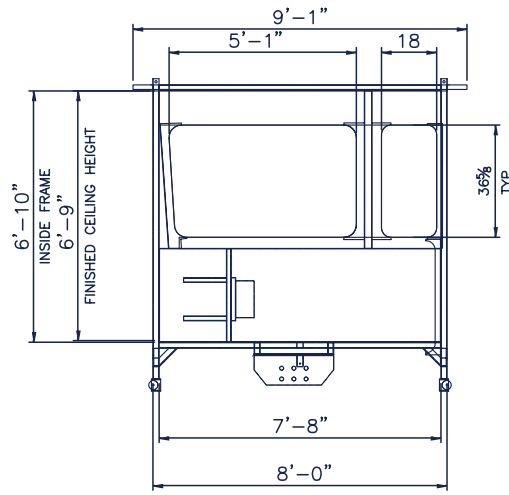


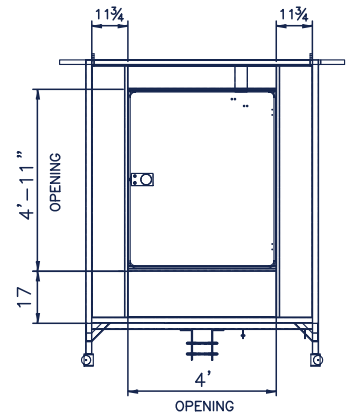
6'x8' Control Tower



FRONT VIEW



SIDE VIEW



REAR VIEW

6'x 8' Hydraulic Raise Control Tower General Arrangement



Operators that use the control towers have increased their production as much as 10% because of a centralized operating station with a view and control of the complete crushing and screening process.