

# MS612 Screen

6x12' 3-Deck Multi-slope Screen



Primary high angle panel at the feed end results in rapid fines removal.

Secondary lower angle panel results in accurate sizing and stratification associated with horizontal screening.



Developed to reduce size, weight and downtime without sacrificing production volumes. This new screen design incorporates 2 screening sections on each deck offering the benefits of both horizontal and inclined screening.

## Benefits

### Simplified Maintenance & Service

- 15 HP Electric Vibrating Motors
- No eccentric shaft, bearings, gears, seals, sheaves or guards to service, replace or store
- Adjustable counterweights (Throw)
- 3 ounces of grease per season vs. 200 tubes of grease or 50 gallons of oil.

### EASIER & SAFER Screen Changes

- Less screen cloth 36' instead of 60'
- End tension on all 3 decks
- Side access holes allow easier access for screen changes and maintenance. No need to enter the screen box.
- No clamp bars
- 24 bolts, washers & nuts vs. 120 bolts, washers & nuts.



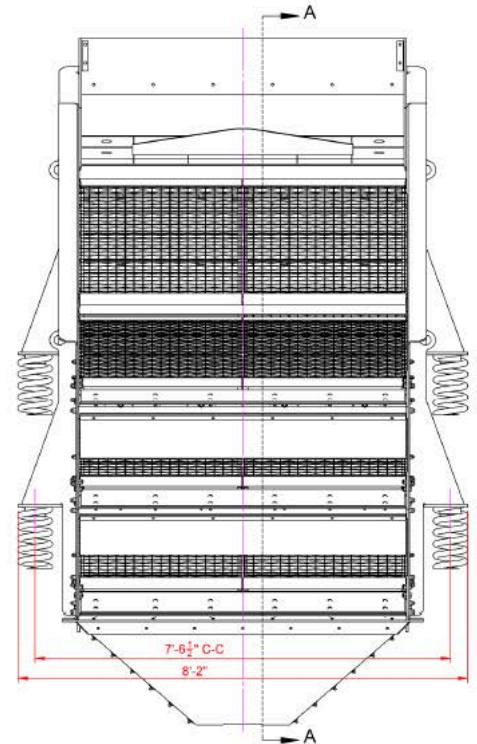
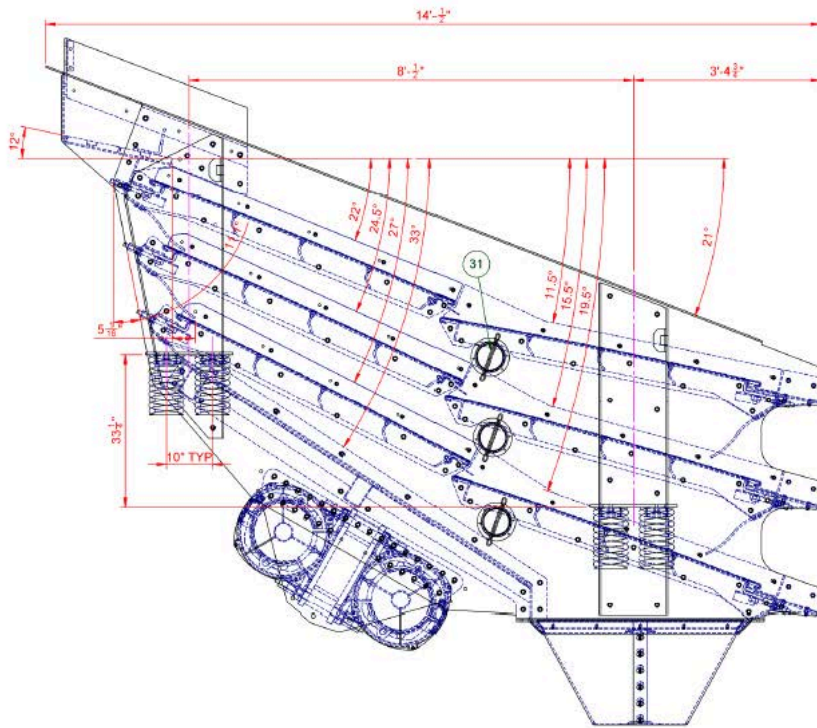
2 - 15 HP Electric Vibrating Motors



End Tension Decks



Side Access Holes



Powered by two 13 HP Electric Vibrating Motors the screen requires about half of the power of its larger counterparts, 26 hp versus 50 hp and almost no maintenance. It requires just two shots of grease twice a year, considerably less than 1 tube of grease every 12 hours on a larger traditional screen. Since there is no eccentric shaft, bearings, gears, seals, sheaves or guards to replace, there's less to break down and no inventory to warehouse.

Screen cloth is easier to change because the decks are all end tension, are easily accessible from the ends of the screen and contain fewer components. 24 screen bolts, washers and nuts and no clamp bars compared to 120 nuts bolts and washers to tighten and 30 clamp bars on a traditional screen. You can install the middle deck without removing the top deck and there are also side access ports for maintenance.



MS612 Feeder Screen Plant



MS612 Screen Plant